

**Overview of Testing Results for Lead in Drinking Water
and Corrective Actions for
Joint Expeditionary Base Little Creek-Fort Story CDC (Building 531)**

The Navy is committed to maintaining safe drinking water on its installations. City water supplied to the Navy and the Navy's water distribution system is regularly tested and in compliance with the Safe Drinking Water Act. Because lead exposure is a particular concern for children, and lead may be added to drinking water through the pipes, fittings, solder, and fixtures inside a building, the Environmental Protection Agency (EPA) recommends, but does not mandate, that we test the lead content of drinking water in priority areas such as youth centers (YCs), child development group homes (CDGHs), and child development centers (CDCs). The Navy has adopted the recommendation as policy.

Navy environmental personnel conducted lead testing at the Fort Story CDC in accordance with Navy and EPA guidelines. Samples from various locations in the CDC were sent to a state-certified laboratory for analysis.

At the Fort Story CDC, outlets used for drinking, cooking, and washing were tested. Out of **50** samples collected, no water outlets tested above the EPA-recommended screening level for lead in drinking water in schools and childcare centers of 20 parts per billion (ppb).

A copy of all test results is enclosed for your information. The test results are presented in two tables:

- Table 1 **Summary of Results** summarizes the data by category of use (e.g., drinking, cooking, washing).
- Table 2 **Summary Statistics** summarizes all the data.

A floor plan of the Fort Story CDC has also been included to show the locations of the fixtures that were sampled.

Table 1 provides a description of each sampling location using three columns; *Category*, *Sampling ID*, and *Outlet Description*. The *Category* column gives information about whether the outlet is used for drinking water (water fountain), cooking (food preparation), or washing (primarily hand-washing or brushing teeth). The *Sample ID* column is the identification used to label each sample bottle. The *Outlet Description* column contains additional information to describe the outlet sampled under each category.

The next set of columns in **Table 1** provide *Initial Sampling Results*, and for those locations that exceeded the recommended screening level of 20 ppb the *Re-sampling Results*.

EPA sampling protocol requires water to not be used for between 8 and 18 hours prior to first draw sampling. Therefore, *Initial Sampling Results* were from first draw samples collected early in the morning before the CDC opened and before any water was used. The *Initial Sampling Results* also indicate whether resampling is required and the date that fixtures greater than 20 ppb were secured.

The *Re-sampling Results*, *Corrective Actions*, and *Post Remediation Sampling Results* columns are annotated N/A (not applicable) since all the samples at the Fort Story CDC were within EPA recommended levels.

To learn more about lead in drinking water in schools and day care centers visit the following EPA website: <https://www.epa.gov/dwreginfo/lead-drinking-water-schools-and-child-care-facilities>.

To learn more about your home's public water supplier, see their annual water quality report: https://www.cnic.navy.mil/regions/cnrma/om/environmental_support/water_quality_information.html

To answer any questions you may have on the sampling program contact the JEB Little Creek-Fort Story Public Affairs Officer at 757-462-8425. If you have any health questions or concerns, you are encouraged to contact your health care provider or, if you are a TRICARE beneficiary, use the Mid-Atlantic Appointment Center to schedule an appointment with your primary care provider at 1-866-645-4584.

Enclosures:

1. Complete Test Results
2. Floor Plan of the Fort Story CDC

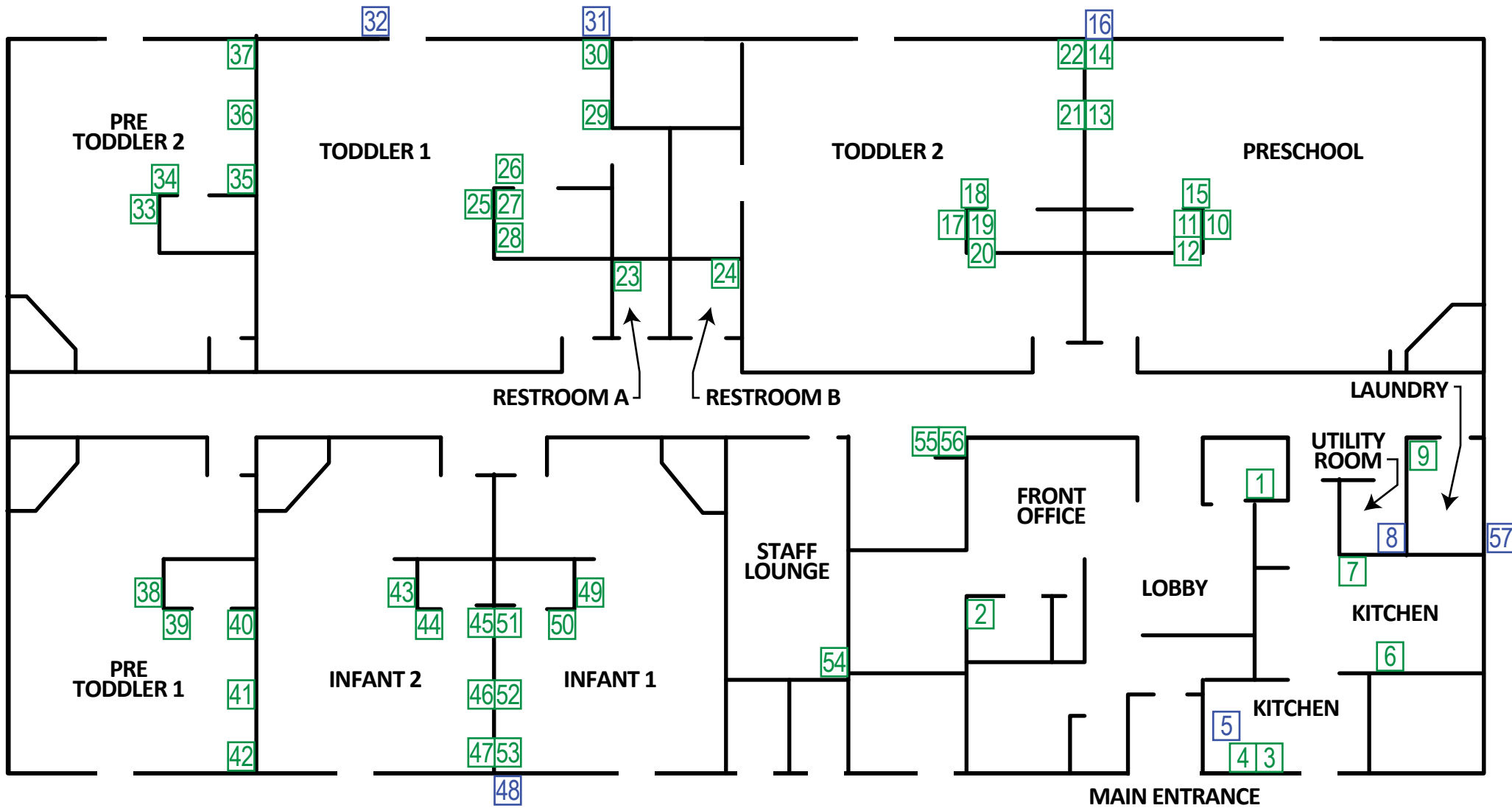
Table 1. Summary of Results

SAMPLING LOCATION DESCRIPTION					INITIAL SAMPLING RESULTS			RE-SAMPLING RESULTS			CORRECTIVE ACTIONS	POST REMEDIATION SAMPLING	
CATEGORY	SAMPLE ID NO.	SAMPLE ID	Outlet Description	Comments	First Draw (ppb)	Retest required?	Date Fixture Secured?	Lead Screening Level of 20ppb				Description	Recommended Level = 20ppb
								Water Fountain 15 min. Follow up Flush Sample - Collected day before First Draw Sampling (ppb)	First Draw (ppb)	Follow up Flush - Collected 30 seconds after First Draw Sampling (ppb)	First Draw (ppb)		Follow up Flush - Collected 30 seconds after First Draw Sampling (ppb)
SAMPLING DATE					10/6/2017			N/A	N/A	N/A		N/A	
RESULTS DATE					10/16/2017			N/A	N/A	N/A		N/A	
DRINKING	15	FS-531-PSRM-WFB-FD	Water fountain bubbler in Pre School Room		non-detect	No	N/A	N/A	N/A	N/A	N/A	N/A	N/A
DRINKING	18	FS-531-T2RM-WFB-FD	Water fountain bubbler in Toddler 2 Room		non-detect	No	N/A	N/A	N/A	N/A	N/A	N/A	N/A
DRINKING	26	FS-531-T1RM-WFB-FD	Water fountain bubbler in Toddler 1 Room		non-detect	No	N/A	N/A	N/A	N/A	N/A	N/A	N/A
DRINKING	35	FS-531-PT2RM-WFB-FD	Water fountain bubbler in Pre-Toddler 2 Room		non-detect	No	N/A	N/A	N/A	N/A	N/A	N/A	N/A
DRINKING	40	FS-531-PT1RM-WFB-FD	Water fountain bubbler in Pre-Toddler 2 Room		non-detect	No	N/A	N/A	N/A	N/A	N/A	N/A	N/A
DRINKING	45	FS-531-I2RM-WFB-FD	Water fountain bubbler in Infant 2 Room		6	No	N/A	N/A	N/A	N/A	N/A	N/A	N/A
DRINKING	51	FS-531-I1RM-WFB-FD	Water fountain bubbler in Infant 1 Room		non-detect	No	N/A	N/A	N/A	N/A	N/A	N/A	N/A
DRINKING	55	FS-531-HALL-WFBA-FD	Water fountain bubbler in Hallway		non-detect	No	N/A	N/A	N/A	N/A	N/A	N/A	N/A
DRINKING	56	FS-531-HALL-WFBB-FD	Water fountain bubbler in Hallway		non-detect	No	N/A	N/A	N/A	N/A	N/A	N/A	N/A
COOKING	3	FS-531-K-KA-FD	Kitchen sink faucet used for food preparation and dishwashing		non-detect	No	N/A	N/A	N/A	N/A	N/A	N/A	N/A
COOKING	4	FS-531-K-KB-FD	Kitchen sink faucet used for food preparation and dishwashing		non-detect	No	N/A	N/A	N/A	N/A	N/A	N/A	N/A
COOKING	6	FS-531-K-KC-FD	Kitchen sink faucet used for food preparation		10	No	N/A	N/A	N/A	N/A	N/A	N/A	N/A
WASHING	1	FS-531-BATHLOB-HHW-FD	High handwashing sink in Lobby bathroom		1	No	N/A	N/A	N/A	N/A	N/A	N/A	N/A
WASHING	2	FS-531-BATHFO-HHW-FD	High handwashing sink in Front Office bathroom		1	No	N/A	N/A	N/A	N/A	N/A	N/A	N/A
WASHING	7	FS-531-K-HHW-FD	High handwashing sink in Kitchen		non-detect	No	N/A	N/A	N/A	N/A	N/A	N/A	N/A
WASHING	9	FS-531-LAU-HHW-FD	High handwashing sink in Laundry Room		non-detect	No	N/A	N/A	N/A	N/A	N/A	N/A	N/A
WASHING	10	FS-531-PSRM-HHWA-FD	Combined high handwashing sink with stairs for children in		non-detect	No	N/A	N/A	N/A	N/A	N/A	N/A	N/A
WASHING	11	FS-531-PSRM-LHWA-FD	Low handwashing sink in Preschool Room		1	No	N/A	N/A	N/A	N/A	N/A	N/A	N/A
WASHING	12	FS-531-PSRM-LHWB-FD	Low handwashing sink in Preschool Room		1	No	N/A	N/A	N/A	N/A	N/A	N/A	N/A
WASHING	13	FS-531-PSRM-HHWB-FD	High handwashing sink in Preschool Room	Used for filling water jugs	1	No	N/A	N/A	N/A	N/A	N/A	N/A	N/A
WASHING	14	FS-531-PSRM-HHWC-FD	High handwashing sink in Preschool Room	Used for filling water jugs	5	No	N/A	N/A	N/A	N/A	N/A	N/A	N/A
WASHING	17	FS-531-T2RM-HHWA-FD	Combined high handwashing sink with stairs for children in Toddler 2 Room		non-detect	No	N/A	N/A	N/A	N/A	N/A	N/A	N/A
WASHING	19	FS-531-T2RM-LHWA-FD	Low handwashing sink in Toddler 2 Room		non-detect	No	N/A	N/A	N/A	N/A	N/A	N/A	N/A
WASHING	20	FS-531-T2RM-LHWB-FD	Low handwashing sink in Toddler 2 Room		non-detect	No	N/A	N/A	N/A	N/A	N/A	N/A	N/A
WASHING	21	FS-531-T2RM-HHWB-FD	High handwashing sink in Toddler 2 Room	Used for filling water jugs	non-detect	No	N/A	N/A	N/A	N/A	N/A	N/A	N/A
WASHING	22	FS-531-T2RM-HHWC-FD	High handwashing sink in Toddler 2 Room	Used for filling water jugs	2	No	N/A	N/A	N/A	N/A	N/A	N/A	N/A
WASHING	23	FS-531-BATHA-HHW-FD	High handwashing sink in Bathroom A		non-detect	No	N/A	N/A	N/A	N/A	N/A	N/A	N/A
WASHING	24	FS-531-BATHB-HHW-FD	High handwashing sink in Bathroom B		1	No	N/A	N/A	N/A	N/A	N/A	N/A	N/A
WASHING	25	FS-531-T1RM-HHWA-FD	Combined high handwashing sink with stairs for children in Toddler 1 Room		non-detect	No	N/A	N/A	N/A	N/A	N/A	N/A	N/A

SAMPLING LOCATION DESCRIPTION					INITIAL SAMPLING RESULTS			RE-SAMPLING RESULTS			CORRECTIVE ACTIONS Description	POST REMEDIATION SAMPLING	
CATEGORY	SAMPLE ID NO.	SAMPLE ID	Outlet Description	Comments	First Draw (ppb)	Retest required?	Date Fixture Secured?	Lead Screening Level of 20ppb				Recommended Level = 20ppb	Follow up Flush - Collected 30 seconds after First Draw Sampling (ppb)
								Water Fountain 15 min. Follow up Flush Sample - Collected day before First Draw Sampling (ppb)	First Draw (ppb)	Follow up Flush - Collected 30 seconds after First Draw Sampling (ppb)			
SAMPLING DATE					10/6/2017			N/A	N/A	N/A		N/A	
RESULTS DATE					10/16/2017			N/A	N/A	N/A		N/A	
WASHING	27	FS-531-T1RM-LHWA-FD	Low handwashing sink in Toddler 1 Room		non-detect	No	N/A	N/A	N/A	N/A	N/A	N/A	N/A
WASHING	28	FS-531-T1RM-LHWB-FD	Low handwashing sink in Toddler 1 Room		2	No	N/A	N/A	N/A	N/A	N/A	N/A	N/A
WASHING	29	FS-531-T1RM-HHWB-FD	High handwashing sink in Toddler 1 Room	Used for filling water jugs	non-detect	No	N/A	N/A	N/A	N/A	N/A	N/A	N/A
WASHING	30	FS-531-T1RM-HHWC-FD	High handwashing sink in Toddler 1 Room	Used for filling water jugs	1	No	N/A	N/A	N/A	N/A	N/A	N/A	N/A
WASHING	33	FS-531-PT2RM-HHWA-FD	Combined high handwashing sink with stairs for children in Pre-Toddler 2 Room		non-detect	No	N/A	N/A	N/A	N/A	N/A	N/A	N/A
WASHING	34	FS-531-PT2RM-LHWA-FD	Low handwashing sink in Pre-Toddler 2 Room		3	No	N/A	N/A	N/A	N/A	N/A	N/A	N/A
WASHING	36	FS-531-PT2RM-HHWB-FD	High handwashing sink in Pre-Toddler 2 Room	Used for filling water jugs	non-detect	No	N/A	N/A	N/A	N/A	N/A	N/A	N/A
WASHING	37	FS-531-PT2RM-HHWC-FD	High handwashing sink in Pre-Toddler 2 Room	Used for filling water jugs	non-detect	No	N/A	N/A	N/A	N/A	N/A	N/A	N/A
WASHING	38	FS-531-PT1RM-HHWA-FD	Combined high handwashing sink with stairs for children in Pre-Toddler 1 Room		non-detect	No	N/A	N/A	N/A	N/A	N/A	N/A	N/A
WASHING	39	FS-531-PT1RM-LHW-FD	Low handwashing sink in Pre-Toddler 1 Room		8	No	N/A	N/A	N/A	N/A	N/A	N/A	N/A
WASHING	41	FS-531-PT1RM-HHWB-FD	High handwashing sink in Pre-Toddler 1 Room	Used for filling water jugs	non-detect	No	N/A	N/A	N/A	N/A	N/A	N/A	N/A
WASHING	42	FS-531-PT1RM-HHWC-FD	High handwashing sink in Pre-Toddler 1 Room	Used for filling water jugs	non-detect	No	N/A	N/A	N/A	N/A	N/A	N/A	N/A
WASHING	43	FS-531-I2RM-HHWA-FD	High handwashing sink in Infant 2 Room		non-detect	No	N/A	N/A	N/A	N/A	N/A	N/A	N/A
WASHING	44	FS-531-I2RM-LHW-FD	Low handwashing sink in Infant 2 Room		6	No	N/A	N/A	N/A	N/A	N/A	N/A	N/A
WASHING	46	FS-531-I2RM-HHWB-FD	High handwashing sink in Infant 2 Room		non-detect	No	N/A	N/A	N/A	N/A	N/A	N/A	N/A
WASHING	47	FS-531-I2RM-HHWC-FD	High handwashing sink in Infant 2 Room		non-detect	No	N/A	N/A	N/A	N/A	N/A	N/A	N/A
WASHING	49	FS-531-I1RM-HHWA-FD	High handwashing sink in Infant 1 Room		non-detect	No	N/A	N/A	N/A	N/A	N/A	N/A	N/A
WASHING	50	FS-531-I1RM-LHW-FD	Low handwashing sink in Infant 1 Room		2	No	N/A	N/A	N/A	N/A	N/A	N/A	N/A
WASHING	52	FS-531-I1RM-HHWB-FD	High handwashing sink in Infant 1 Room		non-detect	No	N/A	N/A	N/A	N/A	N/A	N/A	N/A
WASHING	53	FS-531-I1RM-HHWC-FD	High handwashing sink in Infant 1 Room		non-detect	No	N/A	N/A	N/A	N/A	N/A	N/A	N/A
WASHING	54	FS-531-LOUNGE-HHW-FD	High handwashing sink in Staff Lounge		non-detect	No	N/A	N/A	N/A	N/A	N/A	N/A	N/A

Table 2. Summary Statistics

CATEGORY	INITIAL SAMPLING RESULTS		RE-SAMPLING RESULTS			POST
	Lead Screening Level of 20ppb					
	First Draw (ppb)		Water Fountain Follow up Flush Sample - Collected day before First Draw Sampling (ppb)	First Draw (ppb)	Follow up Flush - Collected 30 seconds after First Draw Sampling (ppb)	First Draw (ppb)
Total Drinking	9		N/A	N/A	N/A	N/A
Total Drinking > 20 ppb	0		N/A	N/A	N/A	N/A
Total Cooking	3		N/A	N/A	N/A	N/A
Total Cooking > 20 ppb	0		N/A	N/A	N/A	N/A
Total Washing	38		N/A	N/A	N/A	N/A
Total Washing > 20 ppb	0		N/A	N/A	N/A	N/A
Total Samples	50		N/A	N/A	N/A	N/A
Total Samples > 20 ppb	0		N/A	N/A	N/A	N/A



1 BUILDING 531 - FLOOR PLAN

NOT TO SCALE



Outlet numbers pertaining to the floor plan.
 Red = Above 20 ppb
 Green = Below 20 ppb
 Blue = Not Sampled

No.	Type of Fixture	Location Description	Exceeded?
1	Lobby Restroom	High handwashing faucet	No
2	Front Office Restroom	High handwashing faucet	No
3	Kitchen	Kitchen sink faucet used for food preparation and dishwashing	No
4	Kitchen	Kitchen sink faucet used for food preparation and dishwashing	No
5	Kitchen	Dishwashing sprayer	Not Sampled
6	Kitchen	Kitchen sink faucet used for food preparation	No
7	Kitchen	High handwashing faucet	No
8	Utility Room (Janitor's Closet)	Utility sink	Not Sampled
9	Laundry Room	High handwashing faucet	No
10	Preschool Room	High handwashing faucet with stairs for children	No
11	Preschool Room	Low handwashing faucet	No
12	Preschool Room	Low handwashing faucet	No
13	Preschool Room	High handwashing faucet	No
14	Preschool Room	High handwashing faucet	No
15	Preschool Room	Water fountain bubbler	No
16	Outside on the northeastern side building 531	Hose bib	Not Sampled
17	Toddler 2 Room	High handwashing faucet with stairs for children	No
18	Toddler 2 Room	Water fountain bubbler	No
19	Toddler 2 Room	Low handwashing faucet	No
20	Toddler 2 Room	Low handwashing faucet	No
21	Toddler 2 Room	High handwashing faucet	No
22	Toddler 2 Room	High handwashing faucet	No
23	Restroom A	High handwashing faucet	No
24	Restroom B	High handwashing faucet	No
25	Toddler 1 Room	High handwashing faucet with stairs for children	No
26	Toddler 1 Room	Water fountain bubbler	No
27	Toddler 1 Room	Low handwashing faucet	No
28	Toddler 1 Room	Low handwashing faucet	No
29	Toddler 1 Room	High handwashing faucet	No
30	Toddler 1 Room	High handwashing faucet	No
31	Outside on the northwestern side building 531	Hose bib	Not Sampled
32	Outside on the northwestern side building 531	Hose bib	Not Sampled
33	Pre-Toddler 2 Room	High handwashing faucet with stairs for children	No
34	Pre-Toddler 2 Room	Low handwashing faucet	No
35	Pre-Toddler 2 Room	Water fountain bubbler	No
36	Pre-Toddler 2 Room	High handwashing faucet	No
37	Pre-Toddler 1 Room	High handwashing faucet	No
38	Pre-Toddler 1 Room	High handwashing faucet with stairs for children	No
39	Pre-Toddler 1 Room	Low handwashing faucet	No
40	Pre-Toddler 1 Room	Water fountain bubbler	No
41	Pre-Toddler 1 Room	High handwashing faucet	No
42	Pre-Toddler 1 Room	High handwashing faucet	No
43	Infant 2 Room	High handwashing faucet	No
44	Infant 2 Room	Low handwashing faucet	No
45	Infant 2 Room	Water fountain bubbler	No
46	Infant 2 Room	High handwashing faucet	No
47	Infant 2 Room	High handwashing faucet	No

No.	Type of Fixture	Location Description	Exceeded?
48	Outside on the southwestern end of building 531	Hose bib	Not Sampled
49	Infant 1 Room	High handwashing faucet	No
50	Infant 1 Room	Low handwashing faucet	No
51	Infant 1 Room	Water fountain bubbler	No
52	Infant 1 Room	High handwashing faucet	No
53	Infant 1 Room	High handwashing faucet	No
54	Break Room	High handwashing faucet	No
55	Hallway	Water fountain bubbler	No
56	Hallway	Water fountain bubbler	No
57	Outside on the eastern end of building 531	Hose bib	Not Sampled

Outlet numbers pertaining to the floor plan.
 Red = Above 20 ppb
 Green = Below 20 ppb
 Blue = Not Sampled